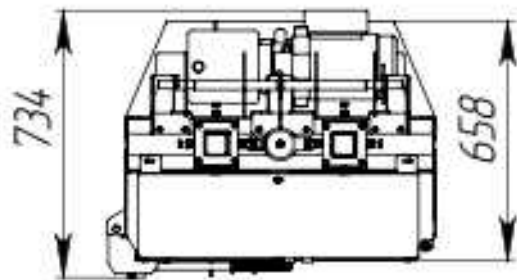
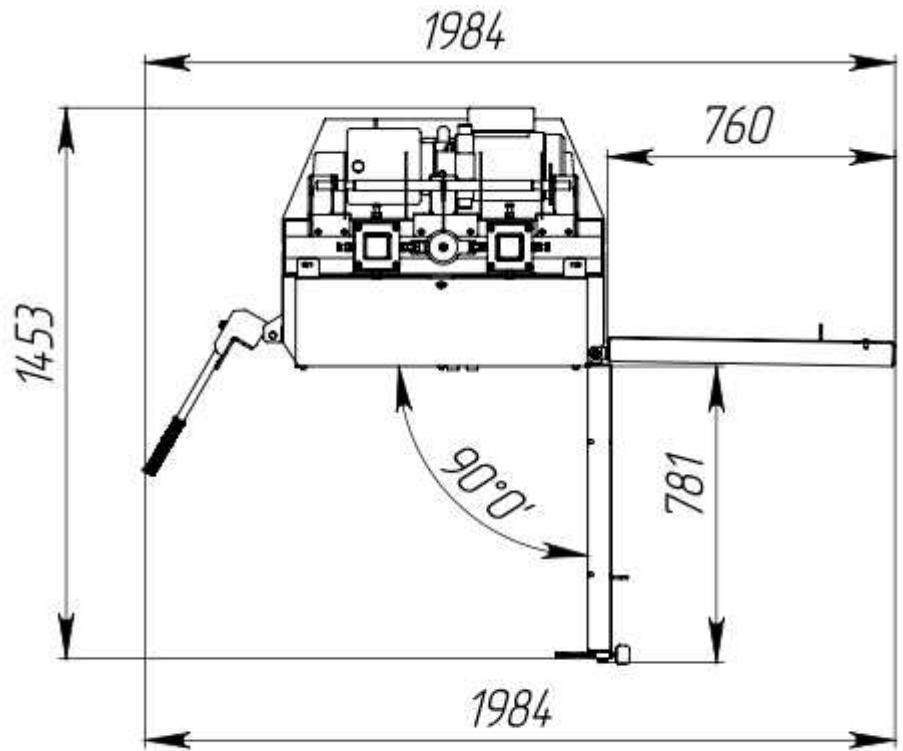


All dimensions in mm



All dimensions in mm



Power supply:	230 V 50 Hz
Electrical Power:	1,1 kW
Protection class:	IP54
Pressing force:	4
Press stroke:	610
Weight of the machine:	340
Dimensions / Transport dimensions (lxwxh):	900 x 700 x 2179 (/ lowered) 900 x 700 x 1800
Filling opening (wxh):	700 x 550
Cycle Time:	30
Bale weight *:	60
Bale size in the chamber (lxwxh)*:	700 x 700 x 500
Bale tying:	strapping with two twines
Comment:	two-hand operation

* (1:02 1:04).

The bale size and bale weights are approximate dimension and depending on the material. The information refers to cardboard packaging (quality 1.02 and 1.04). Information about other materials on request.

We reserve the right to make dimensional and design changes.